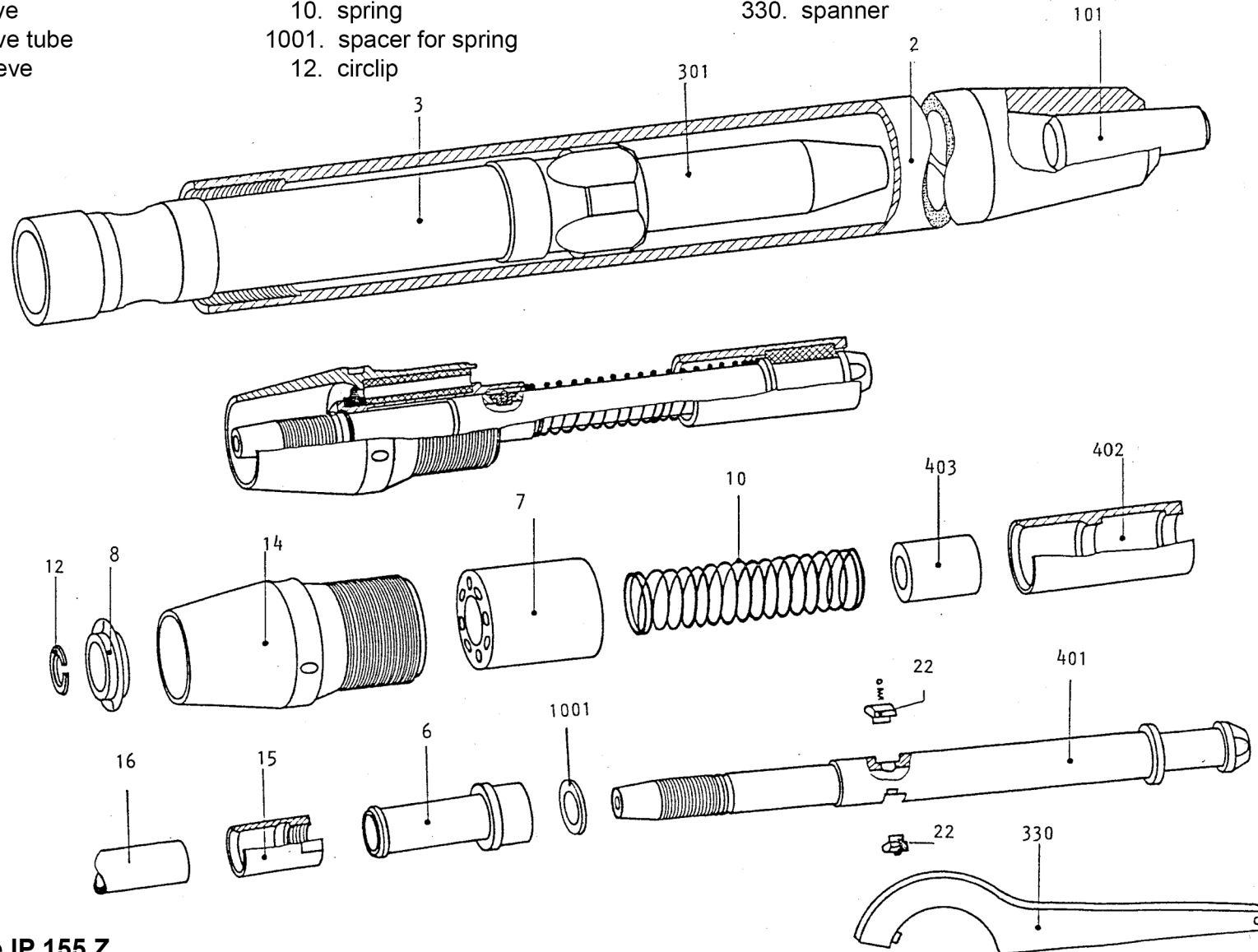


# IP-Mole IP 155 Z

- |                         |                           |                              |
|-------------------------|---------------------------|------------------------------|
| 1. threaded anvil       | 403. control valve rubber | 14. endnut                   |
| 2. casing               | 6. outer support sleeve   | 15. tail hose nut            |
| 3. piston               | 7. shock absorber         | 16. tail hose with couplings |
| 301. front piston       | 8. flap valve             | 22. collets                  |
| 4. control valve        | 10. spring                | 330. spanner                 |
| 401. control valve tube | 1001. spacer for spring   |                              |
| 402. control sleeve     | 12. circlip               |                              |



## Essig IP-Mole IP 155 Z

Made in Germany by Fa. H. Jürgen Essig, Industrielle Anlagen GmbH & Co. KG • Gänsekamp 35 • 32457 Porta-Westfalica • Fon - 49 - 5 71 - 7 20 90