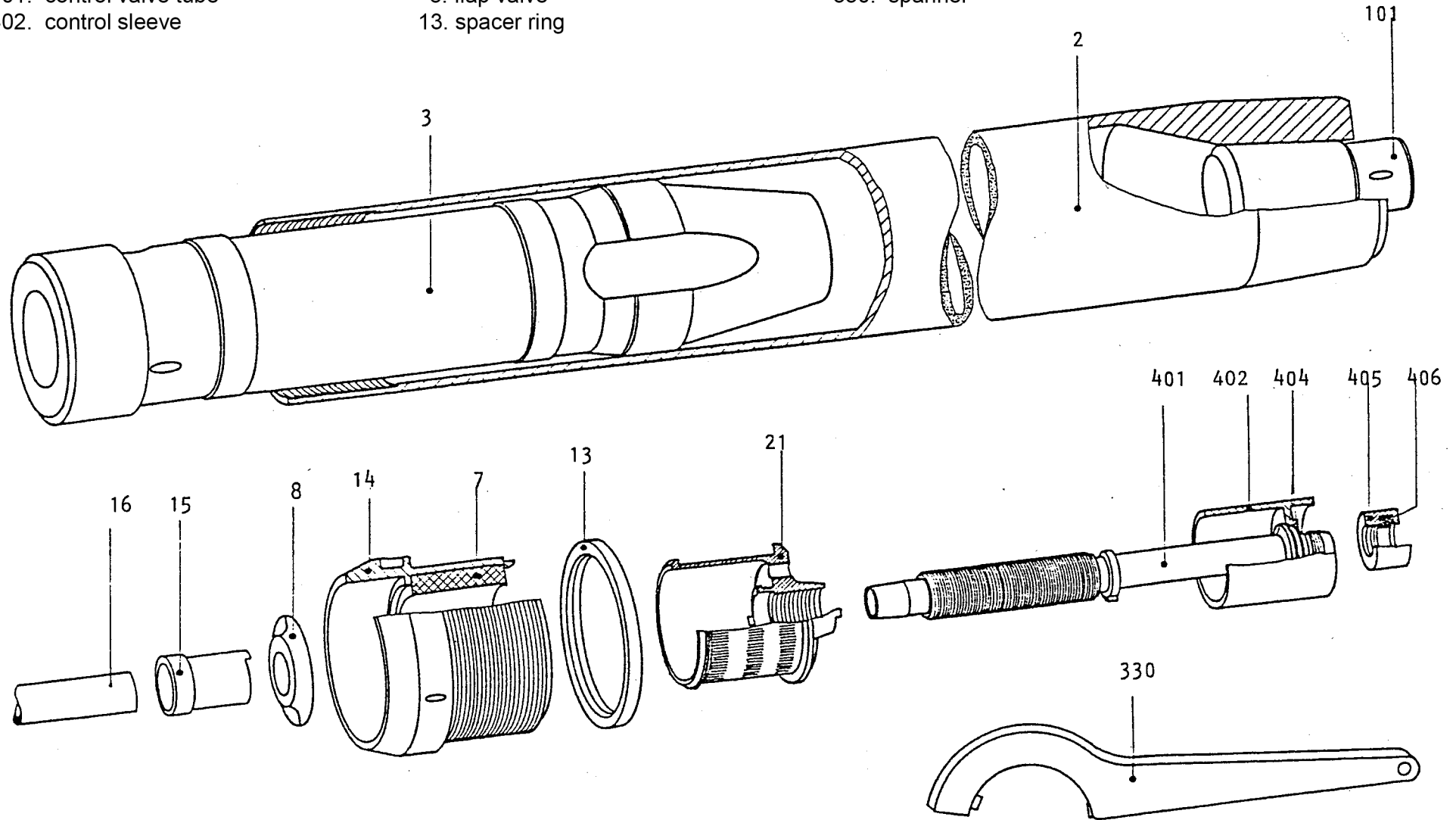


# IP-Mole IP 240 D

- 101. anvil
- 2. casing
- 3. piston
- 4. control valve
- 401. control valve tube
- 402. control sleeve

- 404. o-ring
- 405. locking nut for control valve
- 406. seal for locking nut
- 7. shock absorber
- 8. flap valve
- 13. spacer ring

- 14. endnut
- 15. tail hose nut
- 16. tail hose with couplings
- 21. threaded shock absorber sleeve
- 330. spanner



## Essig IP-Mole IP 240 D

Made in Germany by Fa. H. Jürgen Essig, Industrielle Anlagen GmbH & Co. KG • Gänsekamp 35 • 32457 Porta-Westfalica • Fon - 49 - 5 71 - 7 20 90