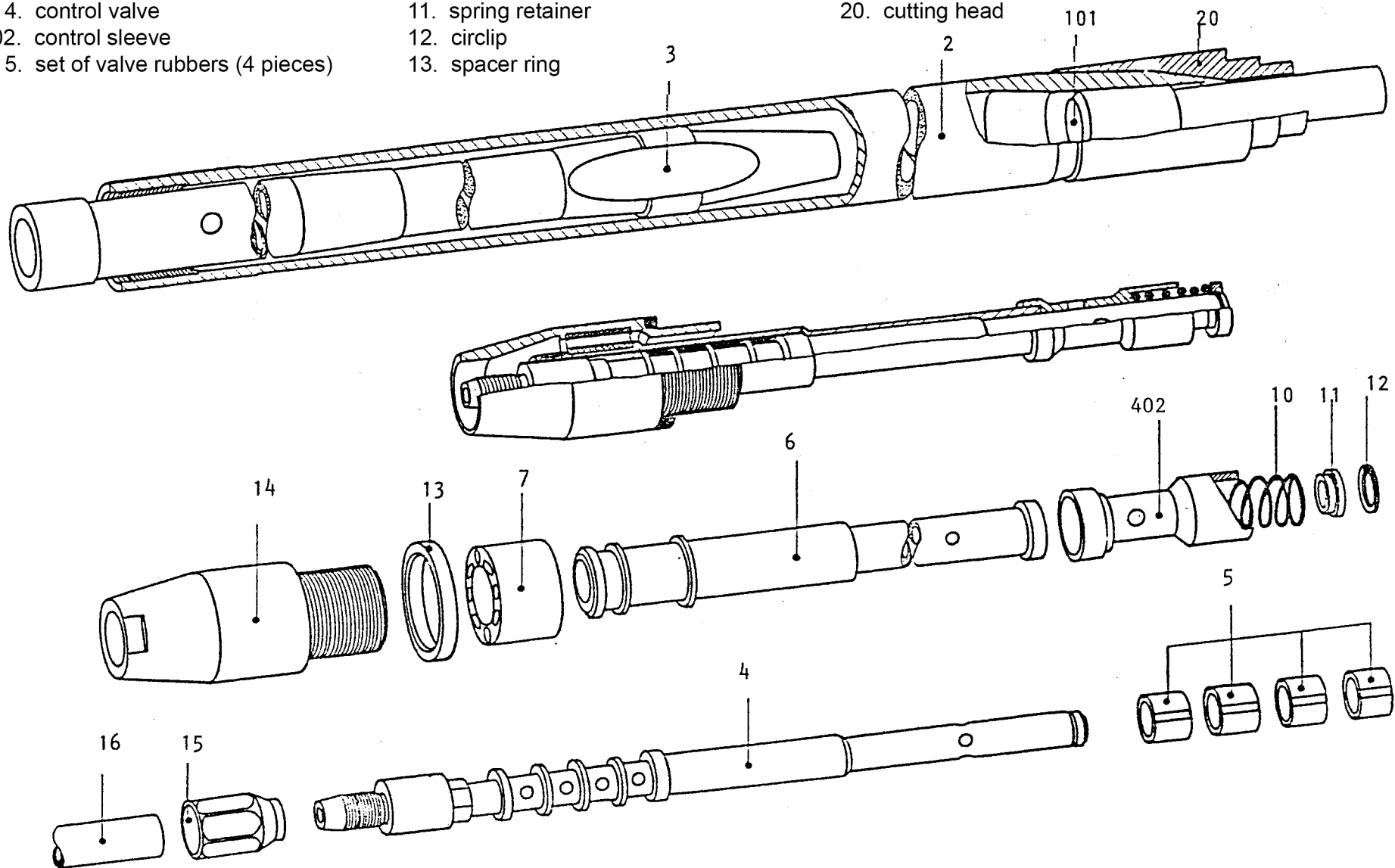


# IP-Mole IP 65 Z

- 101. anvil
- 2. casing
- 3. piston
- 4. control valve
- 402. control sleeve
- 5. set of valve rubbers (4 pieces)

- 6. outer support sleeve
- 7. shock absorber
- 10. spring
- 11. spring retainer
- 12. circlip
- 13. spacer ring

- 14. endnut
- 15. tail hose nut
- 16. tail hose with couplings
- 20. cutting head



## Essig IP-Mole IP 65 Z

Made in Germany by Fa. H. Jürgen Essig, Industrielle Anlagen GmbH & Co. KG • Gänsekamp 35 • 32457 Porta-Westfalica • Fon - 49 - 5 71 - 7 20 90