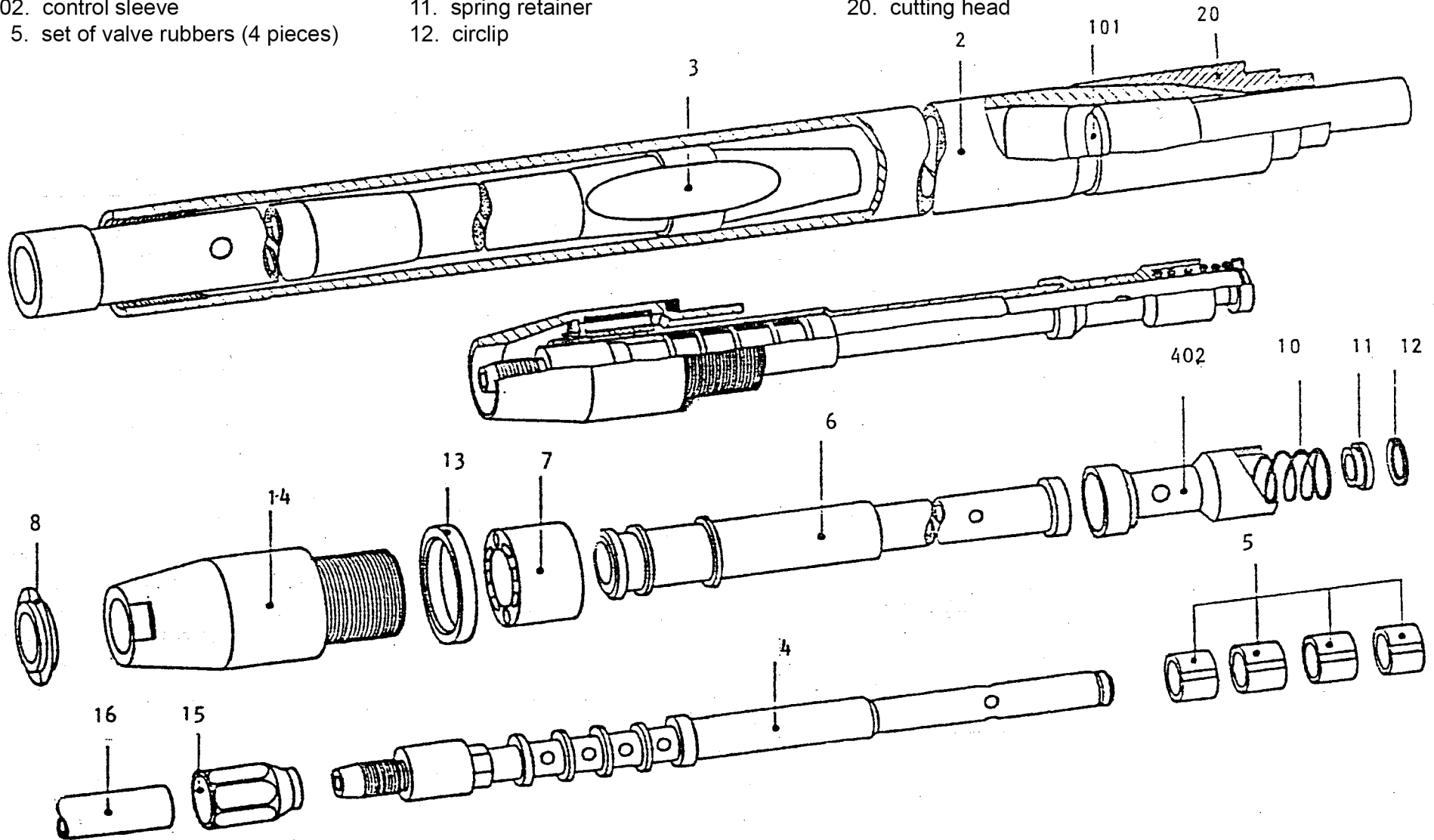


IP-Mole IP 75 Z

- | | | |
|------------------------------------|-------------------------|------------------------------|
| 101. anvil | 6. outer support sleeve | 13. spacer ring |
| 2. casing | 7. shock absorber | 14. endnut |
| 3. piston | 8. flap valve | 15. tail hose nut |
| 4. control valve | 10. spring | 16. tail hose with couplings |
| 402. control sleeve | 11. spring retainer | 20. cutting head |
| 5. set of valve rubbers (4 pieces) | 12. circlip | |



Essig IP-Mole IP 75 Z

Made in Germany by Fa. H. Jürgen Essig, Industrielle Anlagen GmbH & Co. KG • Gänsekamp 35 • 32457 Porta-Westfalica • Fon - 49 - 5 71 - 7 20 90